

THIS DRAWING IS UNPUBLISHED. RELEASED FOR PUBLICATION MAR.2003  
 © COPYRIGHT 2003 BY - ALL RIGHTS RESERVED.

LOC	DIST	REVISIONS			
P	LTR	DESCRIPTION	DATE	DWN	APVD
E	B	B2	REVISED PER ECO-11-005150	29MAR2011	RK HMR

1 FOR FURTHER INFORMATION SEE DATA SHEET FOR HS SERIES-ALUMINIUM HOUSED RESISTORS  
 2 FOR A SPECIFIC PN FOR A RESISTANCE VALUE AND TOLERANCE, PLEASE REFER TO DMF

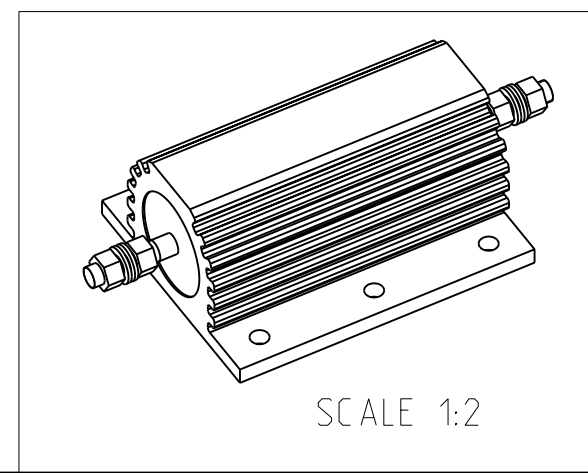
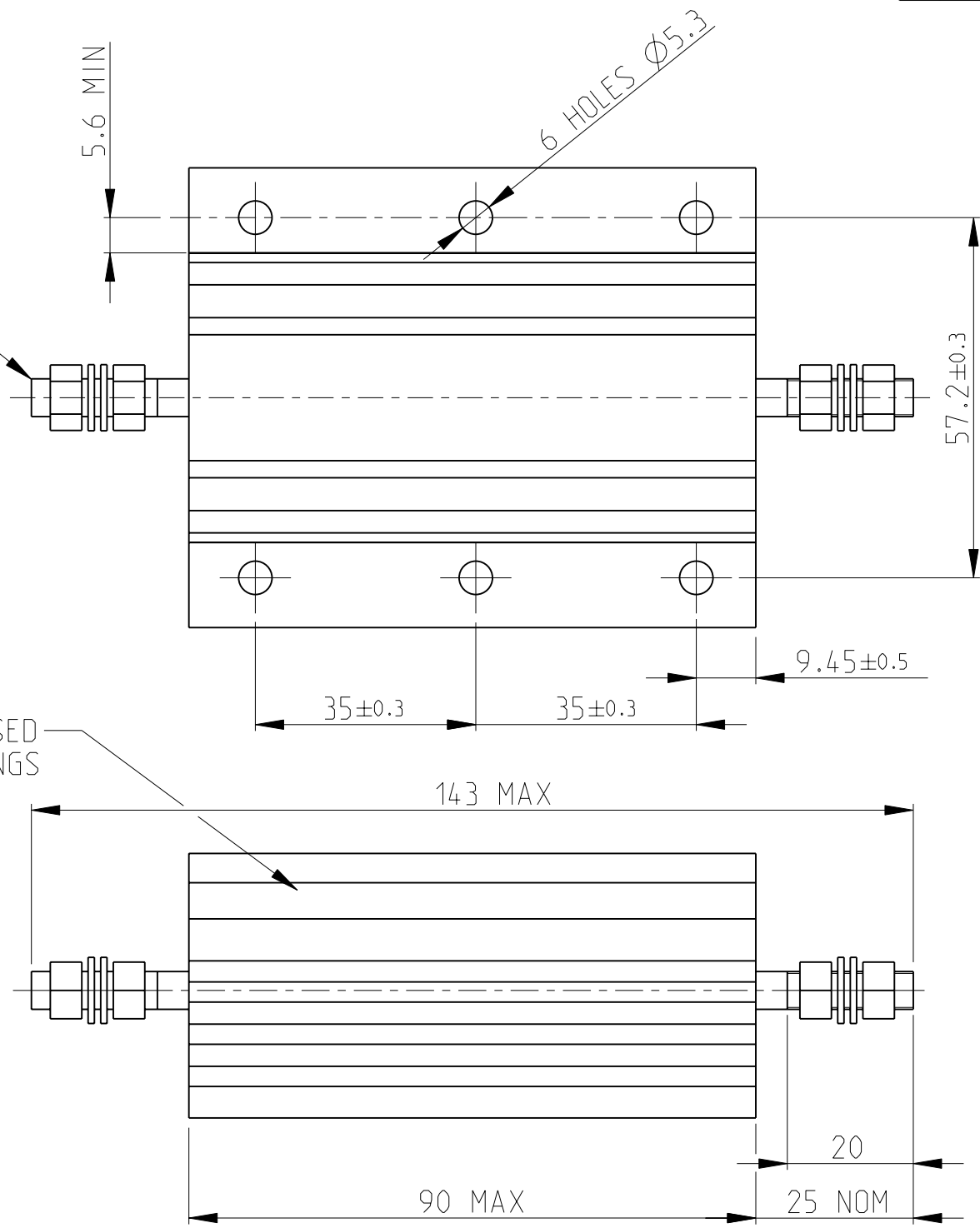
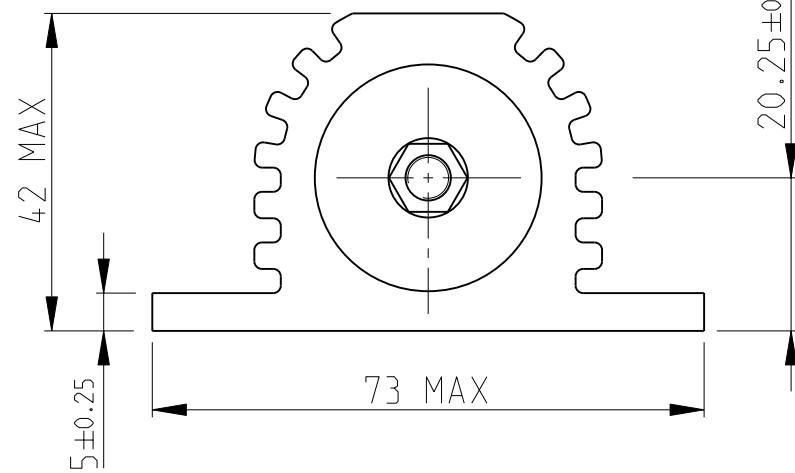
M6 ST/STEEL TERMINAL STUDS.  
 EACH SUPPLIED WITH:-  
 2 OFF M6 ST/STEEL FULL NUTS  
 2 OFF M6/STEEL PLAN WASHERS


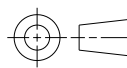
GOLD ANODISED ALUMINIUM HOUSINGS

HSC200 ALUMINIUM HOUSED POWER RESISTOR

RoHS Compliant

SCALE 1:2



THIS DRAWING IS A CONTROLLED DOCUMENT.		DWN L LUONG 10.MAR.03	 TE Connectivity		
DIMENSIONS: mm		CHK J CATCHPOLE 10.MAR.03			
		APVD J CATCHPOLE 10.MAR.03			
TOLERANCES UNLESS OTHERWISE SPECIFIED:		PRODUCT SPEC	NAME HSC200 ALUMINIUM HOUSED POWER RESISTOR		
0 PLC ±0.5 1 PLC ±0.2 2 PLC ±0.1 3 PLC ± 4 PLC ± ANGLES ±5°		APPLICATION SPEC	RESTRICTED TO		
MATERIAL -		WEIGHT -	SIZE A3	CAGE CODE 00779	DRAWING NO C-1630019
FINISH -		CUSTOMER DRAWING	SCALE 1:1	SHEET 1 OF 1	REV B2